

OPERATION MANUAL OF VOLTMETER&AMMETER V15.1/J

Chapter 1. General instruction

Voltmeter/ammeter are used in the real-time measurement and indication on AC voltage/current in the electric circuit.

Chapter 2. Technical parameters

2.1 Measuring range(can be overload 1.2times)

2.1.1 AC voltmeter direct measurement: AC 0~100V or AC 0~500V
need PT external: AC */100V

2.1.2 AC ammeter direct measurement: AC 0~1A or AC 0~5A
need CT external: AC */1A or AC */5A

2.2 Input circuit: voltage (input resistance $\geq 5k\Omega/V$),
current (internal resistance voltage drop $< 0.1V$)

2.3 Frequency of input signal: 45~65Hz

2.4 Sampling rate: 1.5 times/s

2.5 Accuracy class: 0.5

2.6 Auxiliary power supply: 220V \pm 20% , 50/60Hz, consumption $< 2VA$

2.7 Working environment: places which is free of gas corruption with temperature
-10~50°C, humidity $\leq 85\%RH$

Chapter 3. Programming

3.1 Key explanations

Set SET key: under the measuring value display mode, it can enter the Ct setting menu by pressing SET key for 2s. Ct = Primary side rated value of transformer.

◀ SHIFT key: under the programming mode, pressing SHIFT key once can move the cursor to the left one.

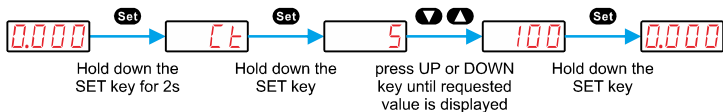
▼ DOWN key: under the Ct setting mode, pressing DOWN key to decrease the Ct parameter values.

▲ UP Key: under the Ct setting mode, pressing UP key to increase the Ct parameter values.

Under the programming mode, it will automatically return to the measuring value display mode if no key operation for more than 120s.

3.2 Programming examples

Change the primary current value Ct of the current transformer to 100



Chapter 4. Installation and Connection

4.1 Shape and hole cutout dimension(unit: mm)

Instrument shape	Panel dimension		Case dimension			Hole cutout dimension	
	W	H	W	H	D	W	H
96×48	96	48	90	44	80	92	45
72×72	72	72	67	67	50/80	68	68
48×48	48	48	44	44	70	45	45
96×96	96	96	91	91	50/80	92	92

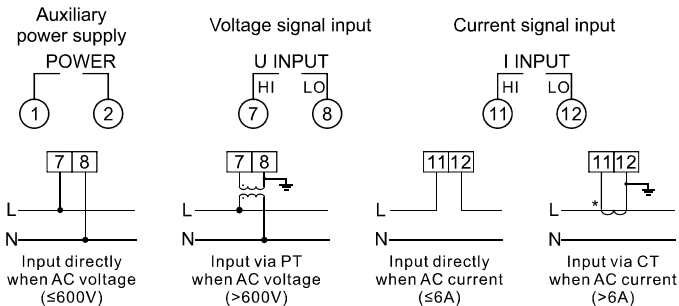
Slideway type : long 88 × wide 36 × high 60

4.2 Method of installation

Choose the corresponding hole cutout dimension according to the meter's dimension from the table above, make a hole in the installation screen, insert the meter into the hole, place the two clamping pieces into the clamping holder, push and tighten them by hand.

4.3 Description of Wiring and terminal

POWER: Auxiliary power input port, default 220V±20%, 50/60Hz



Chapter 5. Cautions

5.1 Please confirm if the power supply, input signal and each terminal wiring of the meter are correct and reliable before applying the power.

5.2 The instrument should not be rapped, knocked and vibrate excessively and its using environment should meet the technical requirements.

Chapter 6. Packing and Storage

The instrument and accessories with packing should keep storage conditions cool and dry and free of wet and gas corruption with temperature not more than 70°C and not less than -40°C, and relative humidity ≤85%.